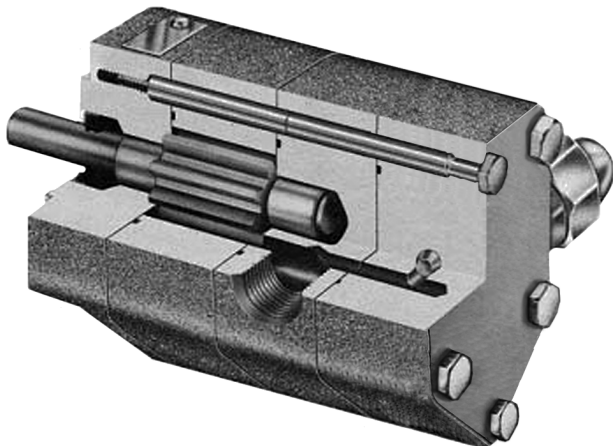


VIKING® SPUR GEAR SINGLE PUMPS

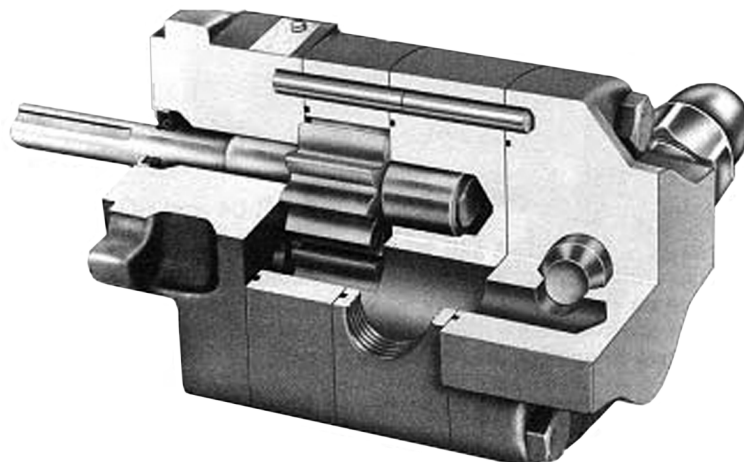
SERIES SG-04, SG-05, SG-07 AND SGN-05, SGN-07
STANDARD CONSTRUCTION

Section	341
Page	341.1
Issue	D

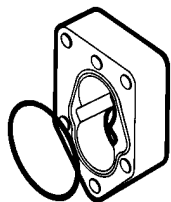
FEATURES



SERIES SG-04 and SG-05 Pumps
Cutaway View
.06 to 11.2 GPM Sizes
(.01 to 2.5 M³/Hr)

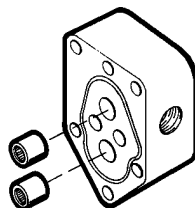


SERIES SG-07 Pump
Cutaway View
2.8 to 32.0 GPM Sizes
(.6 to 7 M³/Hr)



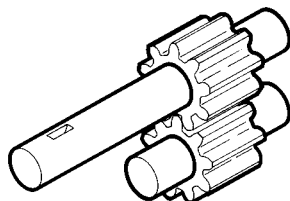
BUNA-N O-RINGS
(Standard Equipment)

All Series SG single pumps incorporate as standard equipment Buna-N O-Rings between sections for positive sealing.



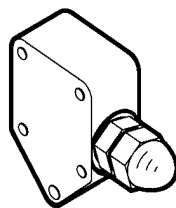
ANTI-FRICTION NEEDLE BEARINGS
(Standard Equipment)

Anti-friction needle bearings are standard equipment for all Series SG lip seal single pumps to reduce torque and improve efficiency.



HEAT-TREATED GEARS & CASE-HARDENED STEEL SHAFTS
(Standard Equipment)

Precision ground heat-treated gear and case-hardened steel shafts insure maximum operating life for all Series SG single pumps.



OVER-PRESSURE RELIEF VALVE
(Standard Equipment)
Single Pumps

Valve permits bypassing of liquids and prevents excessive pressure in the discharge line. If Viking pressure relief valve is not used, some form of pressure protection must be provided, e.g., relief valve in discharge line, torque limiting devices, rupture discs, etc. Viking over-pressure relief valves are not intended for flow or pressure regulation.

① Pressure Range	to 500 PSI (34 BAR) for 100 SSU (20 cSt) and above
② Temperature Range	-40°F. to +450°F. (-40°C. to +232°C.)
③ Viscosity Range	28 SSU to 1,000,000 SSU (.1 cP to 215,871 cSt)

GPM .06 to 32 (M³/Hr .013 to 7) ② (Nominal Rating)

Viking spur gear single pumps Series SG-04, SG-05 and SG-07 are becoming industry's choice for low capacity, high-speed and high-pressure transfer applications. These series of pumps provide versatility and dependability in a compact pumping unit. Through accurate machining and the use of quality components, Viking spur gear single pumps deliver quiet, low-ripple flow to satisfy industrial needs.

Series SG-04, SG-05 and SG-07 fixed displacement spur gear single pumps are designed so capacities increase in even increments of 40 percent so a Viking spur gear single pump is always within 20 percent of your capacity needs.

① Values shown represent minimums or maximums. Some special construction or consideration may be required before a cataloged pump can be applied to an application involving maximum pressure or minimum or maximum temperature and/or viscosity. Certain models have restrictions in pressure and/or viscosities. See specifications, page 341.2, and performance curves, pages 341.19 through 341.66.

② Nominal capacities based on handling thin liquids.

Metric conversions are based on US measurements and rounded to the nearest whole number.

Section	341
Page	341.2
Issue	E

VIKING® SPUR GEAR SINGLE PUMPS

SERIES SG-04, SG-05, SG-07 AND SGN-05, SGN-07

STANDARD CONSTRUCTION

UNMOUNTED PUMPS



SERIES SG-04
and SG-05 Pumps



SERIES SG-07 Pumps

Series SG-04, SG-05 and SG-07 spur gear single pumps are available either unmounted or as mounted units as shown on the following pages. Viking spur gear single pumps are available with a wide variety of sealing options and drive equipment to meet specific needs.

Dimensions for Unmounted Pumps—See Pages 341.9 and 341.10.
Performance Data for Unmounted Pumps—See Pages 341.19 through 341.66.

CONSTRUCTION — SERIES SG-04, SG-05 AND SG-07 UNMOUNTED SINGLE PUMPS

Model	Head, Casing, Separation Plate & Bracket	Gears	Shafts	Bearings		O-Rings	Lip Seal
				Lip Seal	Mech. Seal		
SG-04, SG05 & SG-07	Iron	Heat-Treated Steel	Case-Hardened Steel	Needle	① Carbon Graphite	② Buna-N	② Buna-N
SGN-05 & SGN-07	Ductile Iron	Heat-Treated Steel	Case-Hardened Steel	Needle	① Carbon Graphite	② Buna-N	② Buna-N

SPECIFICATIONS — SERIES SG-04, SG-05 AND SG-07 UNMOUNTED SINGLE PUMPS

② Maximum Recommended Temperature: 225°F (107°C) / ④ Maximum Pressure: 500 PSI (34 BAR)

Pump Model ③		Port Size (NPT)	Nominal Capacity at Maximum Rated Speed 20 cSt (100 SSU) Liquid				Motor Horsepower / Kilowatts Required at 20 cSt (100 SSU)				Approximate Shipping Weight			
			60 Hz Motor Speed		50 Hz Motor Speed		60 Hz Motor Speed		50 Hz Motor Speed					
			GPM	RPM	M ³ /Hr	RPM	100 PSI	500 PSI	7 BAR	34 BAR				
Lip Seal	Mech. Seal	Inch				HP	HP	kW	kW	Lb.	Kg.			
SG-0417	SG-40417	3/8	0.06	1800	0.011	1500	1/8	1/4	0.08	0.16	6	2.7		
SG-0418	SG-40418	3/8	0.14	1800	0.026	1500	1/8	1/3	0.08	0.21	6	2.7		
SG-0425	SG-40425	3/8	0.18	1800	0.034	1500	1/6	1/3	0.10	0.21	6	2.7		
SG-0435	SG-40435	3/8	0.27	1800	0.051	1500	1/6	1/2	0.10	0.31	6	2.7		
SG-0450	SG-40450	3/8	0.36	1800	0.068	1500	1/4	1/2	0.16	0.31	7	3.2		
SG-0470	SG-40470	3/8	0.50	1800	0.095	1500	1/4	1/2	0.16	0.31	7	3.2		
⑤ SG-0518	SGN-0518	SG-40518	SGN-40518	1/2	0.7	1800	0.132	1500	1/8	1/3	0.08	0.21	6	2.7
⑤ SG-0525	SGN-0525	SG-40525	SGN-40525	1/2	1.0	1800	0.189	1500	1/8	1/2	0.08	0.31	6	2.7
⑤ SG-0535	SGN-0535	SG-40535	SGN-40535	1/2	1.4	1800	0.265	1500	1/4	3/4	0.16	0.47	6	2.7
⑤ SG-0550	SGN-0550	SG-40550	SGN-40550	1/2	2.0	1800	0.378	1500	1/4	3/4	0.16	0.47	7	3.2
⑤ SG-0570	SGN-0570	SG-40570	SGN-40570	1/2	2.8	1800	0.529	1500	1/4	1	0.16	0.62	7	3.2
⑤ SG-0510	SGN-0510	SG-40510	SGN-40510	1/2	4.0	1800	0.756	1500	1/2	1 1/2	0.31	0.93	8	3.6
⑤ SG-0514	SGN-0514	SG-40514	SGN-40514	3/4	5.6	1800	1.059	1500	1/2	2	0.31	1.24	9	4.1
⑤ SG-0519	SGN-0519	SG-40519	SGN-40519	3/4	7.6	1800	1.437	1500	3/4	—	0.47	0.00	10	4.5
⑤ SG-0528	SGN-0528	SG-40528	SGN-40528	3/4	11.2	1800	2.118	1500	1	—	0.62	0.00	11	5
SG-0729	SGN-0729	SG-40729	SGN-40729	1	2.8	1800	0.529	1500	1 1/2	1 1/2	0.78	0.93	14	6.4
SG-0741	SGN-0741	SG-40741	SGN-40741	1	4.0	1800	0.756	1500	1/2	1 1/2	0.31	0.93	15	6.8
SG-0758	SGN-0758	SG-40758	SGN-40758	1	5.6	1800	1.059	1500	3/4	3	0.47	1.86	17	7.7
SG-0782	SGN-0782	SG-40782	SGN-40782	1	8.0	1800	1.513	1500	1	3	0.62	1.86	18	8.2
SG-0711	SGN-0711	SG-40711	SGN-40711	1	11.2	1800	2.118	1500	1 1/2	5	0.78	3.11	19	8.6
SG-0716	SGN-0716	SG-40716	SGN-40716	1	16.0	1800	3.025	1500	2	7 1/2	1.24	4.66	20	9.1
SG-0722	SGN-0722	SG-40722	SGN-40722	1 1/2 x 1 1/4	22.0	1800	4.160	1500	3	10	1.86	6.21	41	18.6
SG-0732	SGN-0732	SG-40732	SGN-40732	1 1/2 x 1 1/4	32.0	1800	6.051	1500	5	15	3.11	9.32	43	19.5

① Carbon graphite bushings are standard when mechanical (face type) shaft seal option is specified.

② Buna-N seals (O-Rings, lip seals or mechanical (face type) shaft seals) can be used from -40°F. to +225°F. (-40°C. to +107°C.) With sealing elements of other materials, temperatures up to +450°F. (+232°C.) can be tolerated.

③ See model numbering code, page 341.4.

④ For maximum recommended discharge pressures when handling other viscosities and/or operating at other speeds, see performance curves, pages 341.19 through 341.66. Performance curves show recommended construction.

⑤ UL rating (-X) for fuel oil is available on this pump.

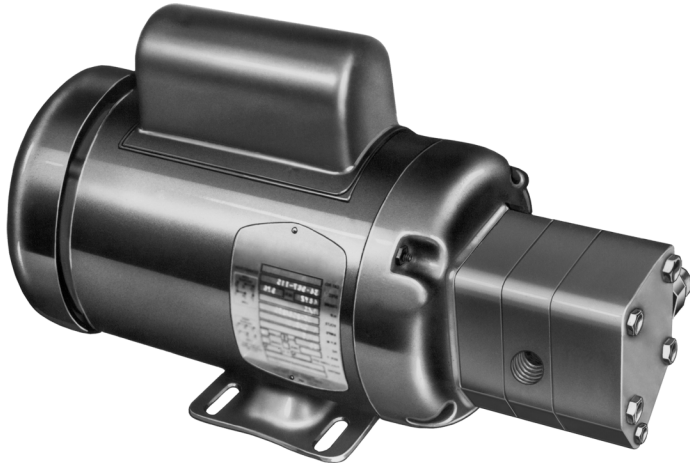
Metric conversions are based on US measurements.

VIKING® SPUR GEAR SINGLE PUMPS

SERIES SG-04, SG-05, SG-07 AND SGN-05, SGN-07
STANDARD CONSTRUCTION

Section	341
Page	341.3
Issue	D

DRIVE OPTIONS



FOUR-BOLT MOTOR MOUNTED UNITS (“M4” DRIVE)

Available with either Series SG-04 or SG-05 integral pump and motor units. It helps reduce onsite assembly costs and provides maximum compactness where space is at a premium. (Not available with Mech. Seal option).

Dimensions for Four-Bolt Motor Mounted Units (“M4” Drive) — See Page 341.13.

Performance Data for Four-Bolt Motor Mounted Units (“M4” Drive) — See Pages 341.19 through 341.50.



FOOT-BRACKET MOUNTED PUMPS (“B” DRIVE)

Series SG-04, SG-05 and SG-07 spur gear single pumps are available mounted to a foot-bracket that is machined by Viking for an accurate fit with the pump.

Dimensions for Foot-Bracket Mounted Pumps (“B” Drive)— See Page 341.15.

Performance Data for Foot-Bracket Mounted Pumps (“B” Drive)— See Pages 341.19 through 341.66.



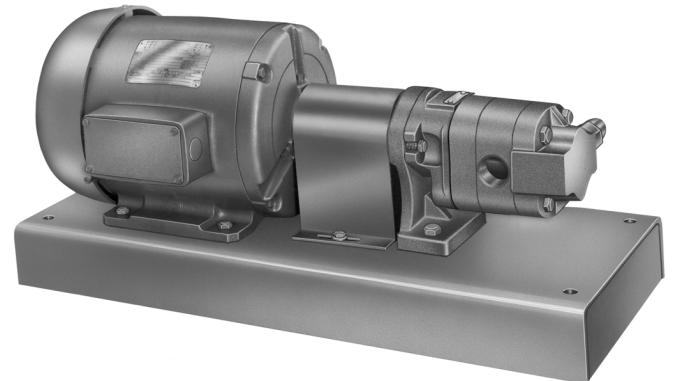
MOTOR MOUNTED UNITS (“M” DRIVE)

Series SG-04, SG-05 and SG-07 spur gear single pumps, in combination with the NEMA “C” flange or “IEC” bracket and flexible coupling, provide an easily assembled compact pumping unit. This mounting arrangement eliminates the need for on-site coupling alignment that is normally required with a base mounted unit.

Dimensions for C-Flange Motor Mounted Units (“M” Drive)— See Page 341.14.

Dimensions for IEC Motor Mounted Units (“M” Drive)— See Page 341.14. 1.

Performance Data for C-Flange Motor Mounted Units (“M” Drive) — See Pages 341.19 through 341.66.



BASE MOUNTED UNITS (“D” DRIVE)

Series SG-04, SG-05 and SG-07 spur gear single pumps mounted to a Viking rectangular, formed steel base provides you with a solid mounting for the drive equipment and the foot-bracket mounted pump.

NOTE: This mounting arrangement requires on-site coupling alignment.

Dimensions for Base Mounted Units (“D” Drive)— See Page 341.16.

Performance Data for Base Mounted Units (“D” Drive) — See Pages 341.19 through 341.66.

Section	341
Page	341.4
Issue	E

VIKING® SPUR GEAR SINGLE PUMPS

SERIES SG-04, SG-05, SG-07 AND SGN-05, SGN-07

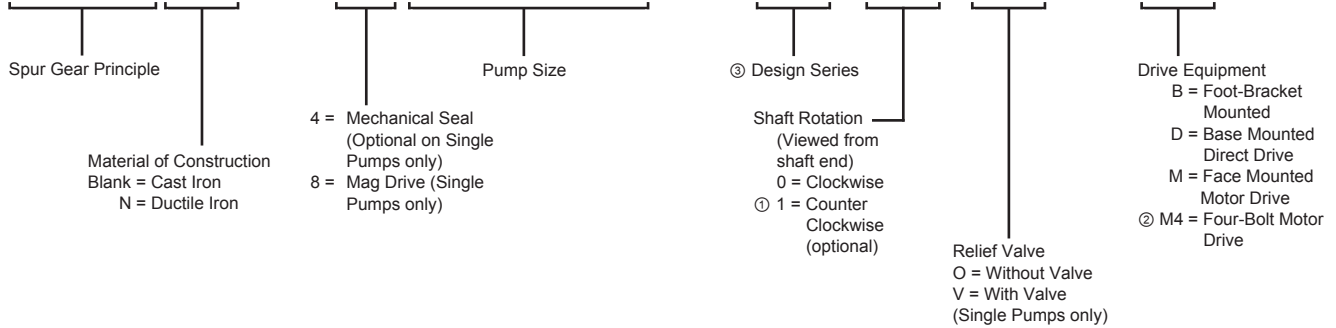
STANDARD CONSTRUCTION

MODEL NUMBERING CODES

Breakdowns of the model number codes for spur gear single and double pumps are provided to aid you in ordering exactly the pump you want and to avoid delays in processing your order. Please note that the pump model numbering codes do not cover all pump options, e.g., shaft sealing arrangements, seal materials, etc. These types of additions must be specified in your order. See price pages.

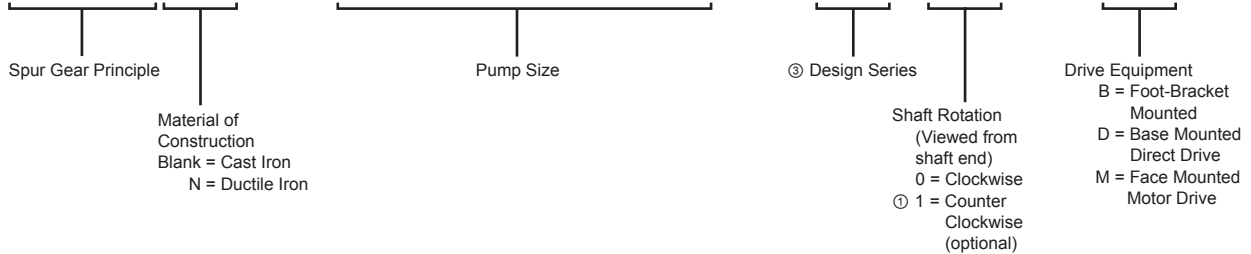
SINGLE PUMPS

SGN - 40518 - G O V - B



DOUBLE PUMPS

SGN - 051825 - G O - B



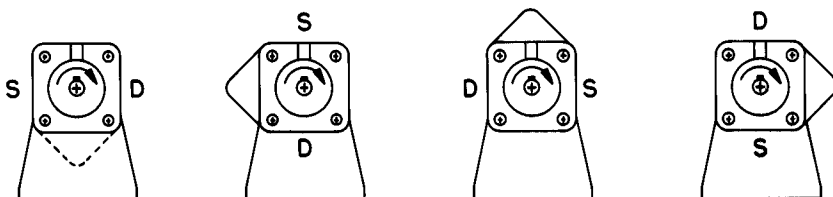
① Counter / clockwise rotation, see price page for addition.

② Four-Bolt Motor Drive option available only for Series SG-04 and SG-05 single pumps, lip seal.

③ NOTE: Design series letter designations are subject to change as the result of basic modifications to the product line.

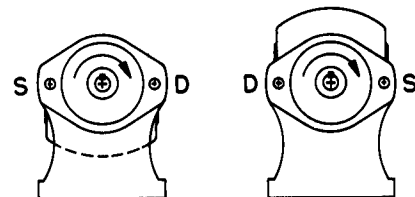
At the time of this printing the design series letter designation for the SG-04 in "A". Series SG-05 and SG-07 pumps use letter designation "G" for both single and double pumps.

SERIES SG-04 AND SG-05 — 90° POSITIONING



Pump can be mounted in any of four 90° positions, giving the option of horizontal or vertical porting.

SERIES SG-07 — 180° POSITIONING



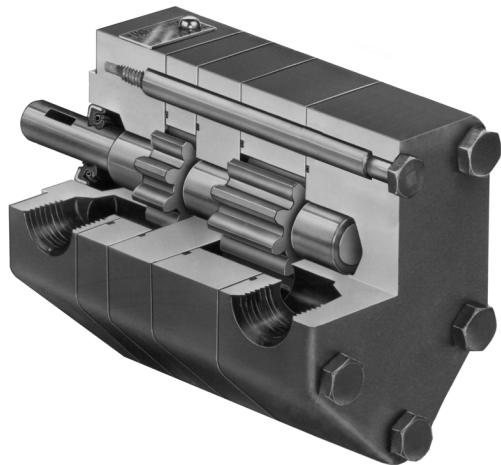
Clockwise pump can be mounted in either of two positions to obtain suction on right or left hand side.

VIKING® SPUR GEAR DOUBLE PUMPS

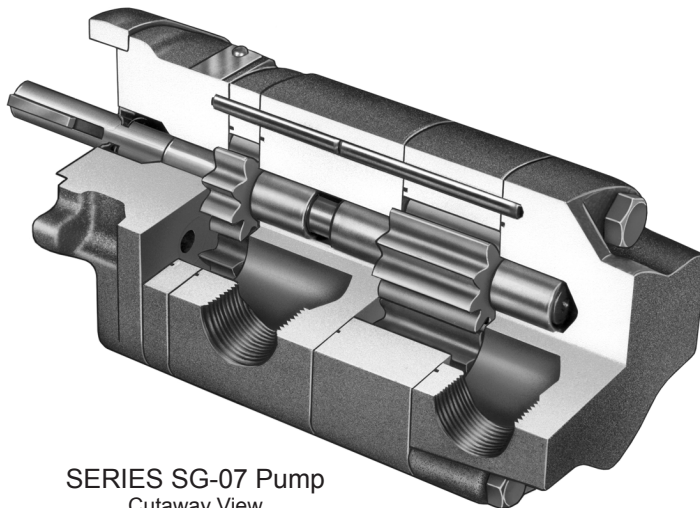
SERIES SG-04, SG-05, SG-07 AND SGN-05, SGN-07
STANDARD CONSTRUCTION

Section	341
Page	341.5
Issue	D

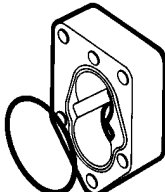
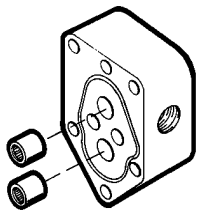
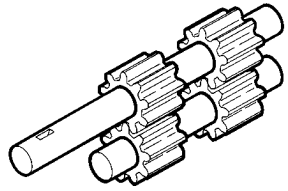
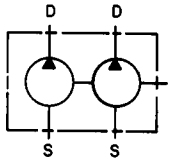
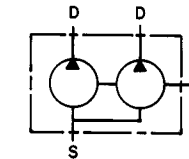
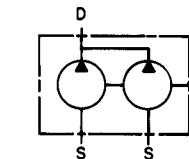
FEATURES



SERIES SG-04 and SG-05 Pumps
Cutaway View
.06 to 11.2 GPM per section
(.01 to 2.5 M³/Hr)



SERIES SG-07 Pump
Cutaway View
2.8 to 16.0 GPM per section
(.6 to 3.6 M³/Hr)

 <p>BUNA-N O-RINGS (Standard Equipment)</p> <p>Series SG double pumps incorporate as standard equipment Buna-N O-Rings between sections for positive sealing.</p>	 <p>ANTI-FRICTION NEEDLE BEARINGS (Standard Equipment)</p> <p>Anti-friction needle bearings are also standard equipment for Series SG double pumps to reduce torque and improve efficiency.</p>
 <p>HEAT-TREATED GEARS & CASE-HARDENED STEEL SHAFTS (Standard Equipment)</p> <p>Precision ground heat-treated gear and case-hardened steel shafts insure maximum operating life for Series SG double pumps.</p>	
<p>STANDARD AND OPTIONAL PORTING ARRANGEMENTS</p> <div style="display: flex; justify-content: space-around;"> <div data-bbox="186 1722 365 1974">  <p>SEPARATE SUCTION & DISCHARGE PORTS STANDARD</p> </div> <div data-bbox="389 1722 576 1974">  <p>COMMON SUCTION SEPARATE DISCHARGE PORTS OPTIONAL</p> </div> <div data-bbox="600 1722 787 1974">  <p>SEPARATE SUCTION COMMON DISCHARGE PORTS OPTIONAL</p> </div> </div>	

① Pressure Range	to 500 PSI (34 BAR) for 100 SSU (20 cSt) and above
② Temperature Range	-40°F. to +450°F. (-40°C. to +232°C.)
③ Viscosity Range	28 SSU to 75,000 SSU (1 cSt to 16,190 cSt)

GPM .06 to 16
(M³/Hr .01 to 3.6)

Ⓢ (Nominal Rating per Pump Section)

Viking spur gear double pumps Series SG-04, SG-05 and SG-07 are ideally suited to many applications in the industrial market. Two independent pumping units are operated from a single power source to reduce equipment costs and simplify installation. System flexibility is maintained as each pumping unit can be operated at a different pressure without affecting the other. A total of 70 different double pump combinations are available to match your requirements.

Series SG-04, SG-05 and SG-07 fixed-displacement spur gear double pumps are designed so capacities increase in even increments of 40 percent so a Viking spur gear double pump is always within 20 percent of your capacity needs.

NOTE: These spur gear double pumps are **not** furnished with pressure relief valves as standard. Some form of pressure protection must be provided for pumping system, e.g., relief valve in discharge line, torque limiting devices, rupture discs, etc.

① Values shown represent minimums or maximums. Some special construction or consideration may be required before a cataloged pump can be applied to an application involving maximum pressure or minimum or maximum temperature and/or viscosity. Certain models have restrictions in pressure and/or viscosities. See specifications, pages 341.6 and 341.7, and performance curves, pages 341.19 through 341.62.

② Nominal capacities per pump section based on handling thin liquids.

Metric conversions are based on US measurements and rounded to the nearest whole number.

Section	341
Page	341.6
Issue	D

VIKING® SPUR GEAR DOUBLE PUMPS

SERIES SG-04, SG-05, SG-07 AND SGN-05, SGN-07

STANDARD CONSTRUCTION

UNMOUNTED PUMPS



SERIES SG-04 and SG-05 Pumps



SERIES SG-07 Pumps

Series SG-04, SG-05 and SG-07 spur gear double pumps are available either unmounted or as mounted units as shown on the following pages. Viking spur gear double pumps are available with a wide range of porting arrangements, sealing options and drive equipment to meet specific needs.

*Dimensions for Unmounted Pumps—See Pages 341.11 and 341.12.
Performance Data for Unmounted Pumps—See Pages 341.19 through 341.62.*

CONSTRUCTION — SERIES SG-04, SG-05 AND SG-07 UNMOUNTED DOUBLE PUMPS

Model	Head, Casing, Separation Plate & Bracket	Gears	Shafts	Bearings	O-Rings	Lip Seal
SG-04, SG05 & SG-07	Iron	Heat-Treated Steel	Case-Hardened Steel	Needle	Ⓢ Buna-N	Ⓢ Buna-N
SGN-05 & SGN-07	Ductile Iron	Heat-Treated Steel	Case-Hardened Steel	Needle	Ⓢ Buna-N	Ⓢ Buna-N

SPECIFICATIONS — SERIES SG-04, SG-05 AND SG-07 UNMOUNTED DOUBLE PUMPS

Ⓢ Maximum Recommended Temperature: 225°F (107°C) / Ⓢ Maximum Pressure: 500 PSI (34 BAR)

Pump Model Ⓢ	Port Size (NPT)	Nominal Capacity at Maximum Rated Speed 20 cSt (100 SSU) Liquid								Motor Horsepower / Kilowatts Required at 20 cSt (100 SSU)				Approximate Shipping Weight	
		60 Hz Motor Speed		50 Hz Motor Speed		60 Hz Motor Speed		50 Hz Motor Speed		60 Hz Motor Speed		50 Hz Motor Speed			
		Brkt. Sect.				Head Sect.				100 PSI	500 PSI	7 BAR	34 BAR		
		Inch	GPM	RPM	M ³ /Hr	RPM	GPM	RPM	M ³ /Hr	RPM	HP	HP	kW	kW	Lb.
SG-041717	1/2	0.06	1800	0.011	1500	0.06	1800	0.011	1500	1/4	1/2	0.16	0.31	8 1/4	(3.8)
SG-041718	1/2	0.14	1800	0.026	1500	0.14	1800	0.026	1500	1/4	1/2	0.16	0.31	8 1/4	(3.8)
SG-041725	1/2	0.18	1800	0.034	1500	0.18	1800	0.034	1500	1/4	1/2	0.16	0.31	8 1/2	(3.9)
SG-041735	1/2	0.27	1800	0.051	1500	0.27	1800	0.051	1500	1/3	3/4	0.21	0.47	8 3/4	(4)
SG-041750	1/2	0.36	1800	0.068	1500	0.36	1800	0.068	1500	1/3	3/4	0.21	0.47	9	(4.1)
SG-041770	1/2	0.50	1800	0.095	1500	0.50	1800	0.095	1500	1/2	3/4	0.31	0.47	9 1/4	(4.2)
SG-041818	1/2	0.7	1800	0.132	1500	0.7	1800	0.132	1500	1/4	1/2	0.16	0.31	8 1/4	(3.8)
SG-041825	1/2	1.0	1800	0.189	1500	1.0	1800	0.189	1500	1/3	3/4	0.21	0.47	8 1/2	(3.9)
SG-041835	1/2	1.4	1800	0.265	1500	1.4	1800	0.265	1500	1/3	3/4	0.21	0.47	8 3/4	(4)
SG-041850	1/2	2.0	1800	0.378	1500	2.0	1800	0.378	1500	1/3	3/4	0.21	0.47	9	(4.1)
SG-041870	1/2	2.8	1800	0.529	1500	2.8	1800	0.529	1500	1/2	3/4	0.31	0.47	9 1/4	(4.2)
SG-042525	1/2	4.0	1800	0.756	1500	4.0	1800	0.756	1500	1/3	3/4	0.21	0.47	8 3/4	(4)
SG-042535	1/2	5.6	1800	1.059	1500	5.6	1800	1.059	1500	1/3	3/4	0.21	0.47	9	(4.1)
SG-042550	1/2	7.6	1800	1.437	1500	7.6	1800	1.437	1500	1/2	3/4	0.31	0.47	9 1/4	(4.2)
SG-042570	1/2	11.2	1800	2.118	1500	11.2	1800	2.118	1500	1/2	3/4	0.31	0.47	9 1/2	(4.3)
SG-043535	1/2	2.8	1800	0.529	1500	2.8	1800	0.529	1500	1/2	3/4	0.31	0.47	9 1/4	(4.2)
SG-043550	1/2	4.0	1800	0.756	1500	4.0	1800	0.756	1500	1/2	1	0.31	0.62	9 1/2	(4.3)
SG-043570	1/2	5.6	1800	1.059	1500	5.6	1800	1.059	1500	1/2	1	0.31	0.62	10	(4.5)
SG-045050	1/2	8.0	1800	1.513	1500	8.0	1800	1.513	1500	1/2	1	0.31	0.62	10	(4.5)
SG-045070	1/2	11.2	1800	2.118	1500	11.2	1800	2.118	1500	1/2	1	0.31	0.62	10 1/4	(4.7)
SG-047070	1/2	32.0	1800	6.051	1500	32.0	1800	6.051	1500	1/2	1	0.31	0.62	10 1/2	(4.8)

Ⓢ Buna-N seals (O-Rings, shaft lip seals) can be used from -40°F. to +225°F. (-40°C. to +107°C.) With sealing elements of other materials, temperatures up to +450°F. (+232°C.) can be tolerated.

Ⓢ For maximum recommended discharge pressures when handling other viscosities and/or operating at other speeds, see performance curves, pages 341.19 through 341.32. Performance curves show preferred construction.

Ⓢ See model numbering code, page 341.4.

Metric conversions are based on US measurements.

VIKING® SPUR GEAR DOUBLE PUMPS

SERIES SG-04, SG-05, SG-07 AND SGN-05, SGN-07

STANDARD CONSTRUCTION

Section	341
Page	341.7
Issue	D

UNMOUNTED PUMPS

SPECIFICATIONS — SERIES SG-04, SG-05 AND SG-07 UNMOUNTED DOUBLE PUMPS

Ⓢ Maximum Recommended Temperature: 225°F (107°C) / Ⓢ Maximum Pressure: 500 PSI (34 BAR)

Pump Model ③	Port Size (NPT)	Nominal Capacity at Maximum Rated Speed 20 cSt (100 SSU) Liquid								Motor Horsepower / Kilowatts Required at 20 cSt (100 SSU)				Approximate Shipping Weight		
		60 Hz		50 Hz		60 Hz		50 Hz		60 Hz		50 Hz				
		Motor Speed		Motor Speed		Motor Speed		Motor Speed		Motor Speed		Motor Speed				
		Brkt. Sect.				Head Sect.				100 PSI	500 PSI	7 BAR	34 BAR			
Lip Seal	Inch	GPM	RPM	M ³ /Hr	RPM	GPM	RPM	M ³ /Hr	RPM	HP	HP	kW	kW	Lb.	Kg.	
SG-051818	SGN-051818	1/2	.7	1800	0.132	1500	.7	1800	0.132	1500	1/4	3/4	0.16	0.47	8 1/4	3.8
SG-051825	SGN-051825	1/2	.7	1800	0.132	1500	1.0	1800	0.189	1500	1/4	3/4	0.16	0.47	8 1/2	3.9
SG-051835	SGN-051835	1/2	.7	1800	0.132	1500	1.4	1800	0.265	1500	1/4	1	0.16	0.62	8 3/4	4
SG-051850	SGN-051850	1/2	.7	1800	0.132	1500	2.0	1800	0.378	1500	1/3	1	0.21	0.62	9	4.1
SG-051870	SGN-051870	1/2	.7	1800	0.132	1500	2.8	1800	0.529	1500	1/2	1 1/2	0.31	0.93	9 1/4	4.2
② SG-051810	② SGN-051810	1/2	.7	1800	0.132	1500	4.0	1800	0.756	1500	1/2	2	0.31	1.24	10	4.5
③ SG-051814	③ SGN-051814	1/2	.7	1800	0.132	1500	5.6	1800	1.059	1500	3/4	3	0.47	1.86	11	5
SG-052525	SGN-052525	1/2	1.0	1800	0.189	1500	1.0	1800	0.189	1500	1/4	1	0.16	0.62	8 3/4	4
SG-052535	SGN-052535	1/2	1.0	1800	0.189	1500	1.4	1800	0.265	1500	1/3	1	0.21	0.62	9	4.1
SG-052550	SGN-052550	1/2	1.0	1800	0.189	1500	2.0	1800	0.378	1500	1/3	1 1/2	0.21	0.93	9 1/4	4.2
SG-052570	SGN-052570	1/2	1.0	1800	0.189	1500	2.8	1800	0.529	1500	1/2	1 1/2	0.31	0.93	9 1/2	4.3
② SG-052510	② SGN-052510	1/2	1.0	1800	0.189	1500	4.0	1800	0.756	1500	1/2	2	0.31	1.24	10 1/4	4.7
③ SG-052514	③ SGN-052514	1/2	1.0	1800	0.189	1500	5.6	1800	1.059	1500	3/4	3	0.47	1.86	11 3/4	5.3
SG-053535	SGN-053535	1/2	1.4	1800	0.265	1500	1.4	1800	0.265	1500	1/3	1 1/2	0.21	0.93	9 1/4	4.2
SG-053550	SGN-053550	1/2	1.4	1800	0.265	1500	2.0	1800	0.378	1500	1/2	1 1/2	0.31	0.93	9 1/2	4.3
SG-053570	SGN-053570	1/2	1.4	1800	0.265	1500	2.8	1800	0.529	1500	1/2	1 1/2	0.31	0.93	10	4.5
② SG-053510	② SGN-053510	1/2	1.4	1800	0.265	1500	4.0	1800	0.756	1500	3/4	2	0.47	1.24	10 1/2	4.8
③ SG-053514	③ SGN-053514	1/2	1.4	1800	0.265	1500	5.6	1800	1.059	1500	3/4	3	0.47	1.86	11 1/2	5.2
SG-055050	SGN-055050	1/2	2.0	1800	0.378	1500	2.0	1800	0.378	1500	1/2	1 1/2	0.31	0.93	10	4.5
SG-055070	SGN-055070	1/2	2.0	1800	0.378	1500	2.8	1800	0.529	1500	1/2	2	0.31	1.24	10 1/4	4.7
② SG-055010	② SGN-055010	1/2	2.0	1800	0.378	1500	4.0	1800	0.756	1500	3/4	3	0.47	1.86	10 3/4	4.9
③ SG-055014	③ SGN-055014	1/2	2.0	1800	0.378	1500	5.6	1800	1.059	1500	3/4	3	0.47	1.86	11 3/4	5.3
SG-057070	SGN-057070	1/2	2.8	1800	0.529	1500	2.8	1800	0.529	1500	3/4	2	0.47	1.24	10	4.5
② SG-057010	② SGN-057010	1/2	2.8	1800	0.529	1500	4.0	1800	0.756	1500	3/4	3	0.47	1.86	11	5
③ SG-057014	③ SGN-057014	1/2	2.8	1800	0.529	1500	5.6	1800	1.059	1500	1	3	0.62	1.86	12	5.5
② SG-051010	② SGN-051010	1/2	4.0	1800	0.756	1500	4.0	1800	0.756	1500	3/4	3	0.47	1.86	11 1/2	5.2
②③ SG-051014	②③ SGN-051014	1/2	4.0	1800	0.756	1500	5.6	1800	1.059	1500	1	5	0.62	3.11	12 3/4	5.8
③ SG-051414	③ SGN-051414	1/2	5.6	1800	1.059	1500	5.6	1800	1.059	1500	1	5	0.62	3.11	13 3/4	6.2
SG-072929	SGN-072929	1	2.8	1800	0.529	1500	2.8	1800	0.529	1500	1	3	0.62	1.86	30 3/4	14
SG-072941	SGN-072941	1	2.8	1800	0.529	1500	4.0	1800	0.756	1500	1	3	0.62	1.86	32	14.5
SG-072958	SGN-072958	1	2.8	1800	0.529	1500	5.6	1800	1.059	1500	1 1/2	5	0.93	3.11	33 1/2	15.2
SG-072982	SGN-072982	1	2.8	1800	0.529	1500	8.0	1800	1.513	1500	1 1/2	5	0.93	3.11	34 1/2	15.7
④ SG-072911	④ SGN-072911	1	2.8	1800	0.529	1500	11.2	1800	2.118	1500	1 1/2	5	0.93	3.11	35 3/4	16.2
④ SG-072916	④ SGN-072916	1	2.8	1800	0.529	1500	16.0	1800	3.025	1500	2	7 1/2	1.24	4.66	37	16.8
SG-074141	SGN-074141	1	4.0	1800	0.756	1500	4.0	1800	0.756	1500	1	3	0.62	1.86	33	15
SG-074158	SGN-074158	1	4.0	1800	0.756	1500	5.6	1800	1.059	1500	1 1/2	5	0.93	3.11	34 1/2	15.7
SG-074182	SGN-074182	1	4.0	1800	0.756	1500	8.0	1800	1.513	1500	1 1/2	5	0.93	3.11	35 3/4	16.2
④ SG-074111	④ SGN-074111	1	4.0	1800	0.756	1500	11.2	1800	2.118	1500	1 1/2	7 1/2	0.93	4.66	37	16.8
④ SG-074116	④ SGN-074116	1	4.0	1800	0.756	1500	16.0	1800	3.025	1500	2	7 1/2	1.24	4.66	38	17.5
SG-075858	SGN-075858	1	5.6	1800	1.059	1500	5.6	1800	1.059	1500	1 1/2	5	0.93	3.11	36 1/2	16.6
SG-075882	SGN-075882	1	5.6	1800	1.059	1500	8.0	1800	1.513	1500	2	5	1.24	3.11	37 1/2	17
④ SG-075811	④ SGN-075811	1	5.6	1800	1.059	1500	11.2	1800	2.118	1500	2	7 1/2	1.24	4.66	38 1/2	17.5
④ SG-075816	④ SGN-075816	1	5.6	1800	1.059	1500	16.0	1800	3.025	1500	2	7 1/2	1.24	4.66	39 1/2	17.9
SG-078282	SGN-078282	1	8.0	1800	1.513	1500	8.0	1800	1.513	1500	2	7 1/2	1.24	4.66	38 1/2	17.5
④ SG-078211	④ SGN-078211	1	8.0	1800	1.513	1500	11.2	1800	2.118	1500	2	7 1/2	1.24	4.66	39 1/2	17.9
④ SG-078216	④ SGN-078216	1	8.0	1800	1.513	1500	16.0	1800	3.025	1500	3	10	1.86	6.21	40 3/4	18.5
④ SG-071111	④ SGN-071111	1	11.2	1800	2.118	1500	11.2	1800	2.118	1500	2	10	1.24	6.21	40 3/4	18.5
④ SG-071116	④ SGN-071116	1	11.2	1800	2.118	1500	16.0	1800	3.025	1500	3	10	1.86	6.21	41 3/4	19
④ SG-071616	④ SGN-071616	1	16.0	1800	3.025	1500	16.0	1800	3.025	1500	3	15	1.86	9.32	43	19.5

① See model numbering code, page 341.4.

② When handling liquids with viscosities above 750 SSU (162 cSt), 1/2" NPT ports in the casing must be specified for the 10 section.

③ When handling liquids with viscosities above 750 SSU (162 cSt), 3/4" NPT ports in the casing must be specified for the 14 section.

④ When handling liquids with viscosities above 750 SSU (162 cSt) with 11 or 16 section pumps, consult factory for port recommendations.

Ⓢ For maximum recommended discharge pressures when handling other viscosities and/or operating at other speeds, see performance curves, pages 341.33 through 341.62. Performance curves show recommended construction.

Ⓢ Buna-N seals (O-Rings, shaft lip seals) can be used from -40°F. to +225°F. (-40°C. to +107°C.) With sealing elements of other materials, temperatures up to +450°F. (+232°C.) can be tolerated.

Metric conversions are based on US measurements.

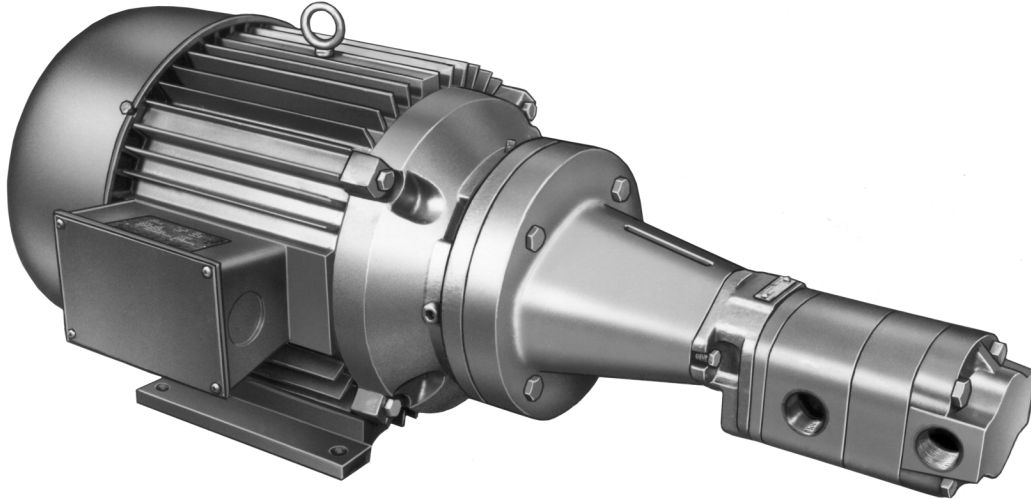
Section	341
Page	341.8
Issue	D

VIKING® SPUR GEAR DOUBLE PUMPS

SERIES SG-04, SG-05, SG-07 AND SGN-05, SGN-07

STANDARD CONSTRUCTION

DRIVE OPTIONS



MOTOR MOUNTED UNITS (“M” DRIVE)

Series SG-04, SG-05 and SG-07 spur gear double pumps, in combination with a NEMA “C” flange or IEC bracket and flexible coupling, provide an easily assembled compact pumping unit. This mounting arrangement eliminates the need for on-site coupling alignment that is normally required with a base-mounted unit.

*Dimensions for C-Flange Motor Mounted Units (“M” Drive)—
See Page 341.14.*

*Dimensions for IEC-Flange Motor Mounted Units (“M” Drive)—
See Page 341.14.1.*

*Performance Data for C-Flange Motor Mounted Units (“M” Drive) —
See Pages 341.19 through 341.62.*

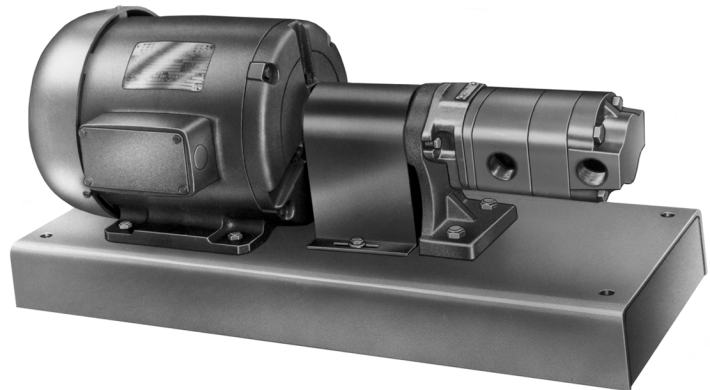


FOOT-BRACKET MOUNTED PUMPS (“B” DRIVE)

Series SG-04, SG-05 and SG-07 spur gear double pumps are available mounted to a foot-bracket that is machined by Viking for an accurate fit with the pump.

*Dimensions for Foot-Bracket Mounted Pumps (“B” Drive)—
See Page 341.15.*

*Performance Data for Foot-Bracket Mounted Pumps (“B” Drive)—
See Pages 341.19 through 341.62.*



BASE MOUNTED UNITS (“D” DRIVE)

Series SG-04, SG-05 and SG-07 spur gear double pumps mounted to a Viking rectangular, formed steel base provides you with a solid mounting for the drive equipment and the foot-bracket mounted pump.

NOTE: This mounting arrangement requires on-site coupling alignment.

Dimensions for Base-Mounted Units (“D” Drive)— See Page 341.16.

*Performance Data for Base-Mounted Units (“D” Drive) —See Pages
341.19 through 341.62.*

VIKING® SPUR GEAR SINGLE PUMPS

SERIES SG-04, SG-05, SG-07 AND SGN-05, SGN-07

STANDARD CONSTRUCTION

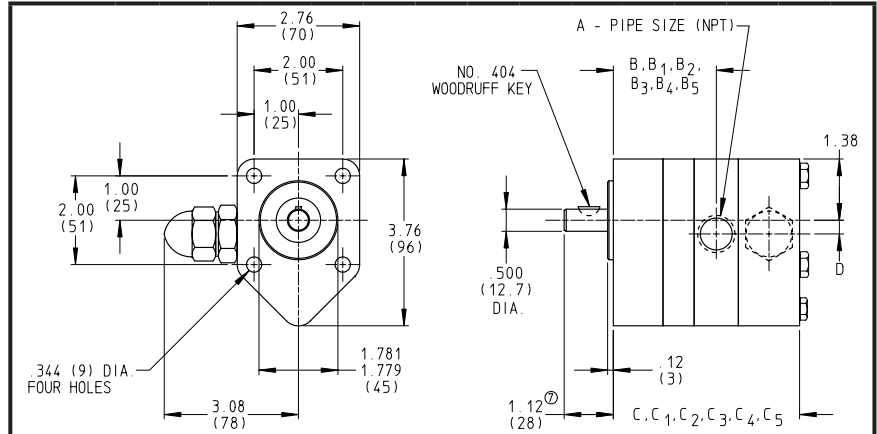
Section	341
Page	341.9
Issue	C

DIMENSIONS

These dimensions are average and not for construction purposes. Certified prints on request.

For description, see page 341.2.

DIMENSIONS— SERIES SG-04, SG-05, SGN-05 UNMOUNTED SINGLE PUMPS (LIP AND MECHANICAL SEAL)



MODEL NO.	A	B	① B ₁	② B ₂	③ B ₃	④ B ₄	⑤ B ₅	C	① C ₁	② C ₂	③ C ₃	④ C ₄	⑤ C ₅	D	
SG-0417	3/8	in	1.80	2.68	2.18	1.99	2.87	2.37	3.68	4.56	4.06	2.68	3.56	3.06	.31
		mm	46	68	55	51	73	60	93	116	103	68	90	78	8
SG-0418	3/8	in	1.80	2.68	2.18	1.99	2.87	2.37	3.68	4.56	4.06	2.68	3.56	3.06	.31
		mm	46	68	55	51	73	60	93	116	103	68	90	78	8
SG-0425	3/8	in	1.87	2.75	2.25	2.06	2.94	2.44	3.75	4.63	4.13	2.75	3.63	3.13	.31
		mm	47	70	57	52	75	62	95	118	105	70	92	80	8
SG-0435	3/8	in	1.97	2.85	2.35	2.16	3.04	2.54	3.85	4.73	4.23	2.85	3.73	3.23	.31
		mm	50	72	60	55	77	65	98	120	107	72	95	82	8
SG-0450	3/8	in	2.12	3.00	2.50	2.31	3.19	2.69	4.00	4.88	4.38	3.00	3.88	3.38	.31
		mm	54	76	64	58	81	68	102	124	111	76	99	86	8
SG-0470	3/8	in	2.32	3.20	2.70	2.51	3.39	2.89	4.20	5.08	4.58	3.20	4.08	3.58	.31
		mm	59	81	69	64	86	73	107	129	116	81	104	91	8
SG-0518 SGN-0518	1/2	in	1.80	2.68	2.18	1.99	2.87	2.37	3.68	4.56	4.06	2.68	3.56	3.06	.31
		mm	46	68	55	51	73	60	93	116	103	68	90	78	8
SG-0525 SGN-0525	1/2	in	1.87	2.75	2.25	2.06	2.94	2.44	3.75	4.63	4.13	2.75	3.63	3.13	.31
		mm	47	70	57	52	75	62	95	118	105	70	92	80	8
SG-0535 SGN-0535	1/2	in	1.97	2.85	2.35	2.16	3.04	2.54	3.85	4.73	4.23	2.85	3.73	3.23	.31
		mm	50	72	60	55	77	65	98	120	107	72	95	82	8
SG-0550 SGN-0550	1/2	in	2.12	3.00	2.50	2.31	3.19	2.69	4.00	4.88	4.38	3.00	3.88	3.38	.31
		mm	54	76	64	58	81	68	102	124	111	76	99	86	8
SG-0570 SGN-0570	1/2	in	2.32	3.20	2.70	2.51	3.39	2.89	4.20	5.08	4.58	3.20	4.08	3.58	.31
		mm	59	81	69	64	86	73	107	129	116	81	104	91	8
⑥ SG-0510 SGN-0510	1/2	in	1.62	2.50	2.00	1.62	2.50	2.00	4.50	5.38	4.88	3.50	4.38	3.88	.31
		mm	41	64	51	41	64	51	114	137	124	89	111	99	8
⑥ SG-0514 SGN-0514	3/4	in	1.82	2.70	2.20	1.82	2.70	2.20	4.90	5.78	5.28	3.90	4.78	4.28	.19
		mm	46	69	56	46	69	56	124	147	134	99	121	109	5
⑥ SG-0519 SGN-0519	3/4	in	2.07	2.95	2.45	2.07	2.95	2.45	5.40	6.28	5.78	4.40	5.28	4.78	.19
		mm	53	75	62	53	75	62	137	160	147	112	134	121	5
⑥ SG-0528 SGN-0528	3/4	in	1.82	2.70	2.20	1.82	2.70	2.20	6.30	7.18	6.68	5.30	6.18	5.68	.19
		mm	46	69	56	46	69	56	160	182	170	135	157	144	5

- ① These dimensions apply when the mechanical shaft seal option is selected.
 - ② These dimensions apply when the overhung load option is selected.
 - ③ These dimensions apply when the relief valve is deleted.
 - ④ These dimensions apply when the relief valve is deleted and the mechanical shaft seal option is selected.
 - ⑤ These dimensions apply when the relief valve is deleted and the overhung load option is selected.
 - ⑥ These models have the ports in the casing.
 - ⑦ When the overhung load option is selected the pump shaft extension becomes 1.62" (41mm).
- NOTE: Dimensions in parentheses are millimeters; others are inches.

Section	341
Page	341.10
Issue	C

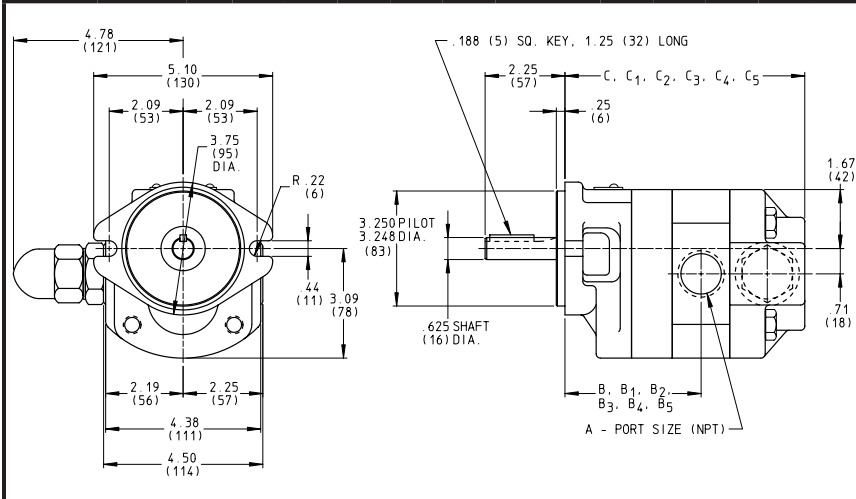
VIKING® SPUR GEAR SINGLE PUMPS

SERIES SG-04, SG-05, SG-07 AND SGN-05, SGN-07

STANDARD CONSTRUCTION

DIMENSIONS

These dimensions are average and not for construction purposes. Certified prints on request.



For description, see page 341.4.

DIMENSIONS— SERIES SG-07, SGN-07 UNMOUNTED SINGLE PUMPS (LIP AND MECHANICAL SEAL)

MODEL NO.	A	B	① B ₁	② B ₂	③ B ₃	④ B ₄	⑤ B ₅	C	① C ₁	② C ₂	③ C ₃	④ C ₄	⑤ C ₅
SG-0741 SGN-0741	⑥ 1	in 3.10 mm 79	4.72 120	3.29 84	4.91 125	3.54 90	5.16 131	6.03 153	7.65 194	4.41 112	6.03 153	6.91 176	8.53 217
SG-0758 SGN-0758	⑥ 1	in 3.27 mm 83	4.89 124	3.46 88	5.08 129	3.71 94	5.33 135	6.20 157	7.82 199	4.58 116	6.20 157	7.08 180	8.70 221
SG-0782 SGN-0782	⑥ 1	in 3.51 mm 89	5.13 130	3.70 94	5.32 135	3.95 100	5.57 141	6.44 164	8.06 205	4.82 122	6.44 164	7.32 186	8.94 227
SG-0711 SGN-0711	⑥ 1	in 3.84 mm 98	5.46 139	4.03 102	5.65 144	4.28 109	5.90 150	6.77 172	8.39 213	5.15 131	6.77 172	7.65 194	9.27 235
SG-0716 SGN-0716	⑥ 1	in 4.34 mm 110	5.96 151	4.53 115	6.15 156	4.78 121	6.40 163	7.27 185	8.89 226	5.65 144	7.27 185	8.15 207	9.77 248
SG-0722 SGN-0722	⑦ 1 1/2 x 1 1/4	in 4.28 mm 109	5.90 150	4.28 109	5.90 150			10.42 265	12.04 306	8.80 224	10.42 265		
SG-0732 SGN-0732	⑦ 1 1/2 x 1 1/4	in 4.78 mm 121	6.40 163	4.78 121	6.40 163			11.42 290	13.04 331	9.80 249	11.42 290		

- ① These dimensions apply when the mechanical shaft seal option is selected.
- ② These dimensions apply when the relief valve is deleted.
- ③ These dimensions apply when the relief valve is deleted and the mechanical shaft seal option is selected.
- ④ These dimensions apply when the oversize port option (1 1/2" NPT suction, 1 1/4" NPT discharge) is selected, with or without the relief valve.
- ⑤ These dimensions apply when the oversize port option (1 1/2" NPT suction, 1 1/4" NPT discharge) and the mechanical seal option are both selected, with or without the relief valve.
- ⑥ Standard ports for these size pumps are 1" NPT. Oversize ports are available (1 1/2" NPT suction, 1 1/4" NPT discharge) as an option on clockwise rotation pumps only. See footnotes 4 and 5 for appropriate dimensions. (See Price page P341.2).
- ⑦ Standard ports for these size pumps are 1 1/2" NPT suction, 1 1/4" NPT discharge. These pumps are only available in clockwise rotation.

NOTE: Dimensions shown in parentheses are millimeters; others are inches.

VIKING® SPUR GEAR SINGLE PUMPS

SERIES SG-04, SG-05, SG-07 AND SGN-05, SGN-07

STANDARD CONSTRUCTION

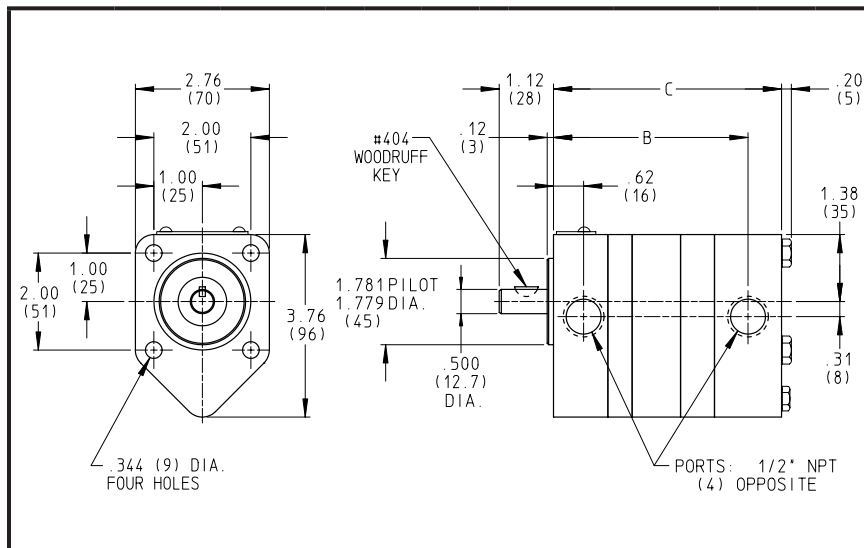
Section	341
Page	341.11
Issue	C

DIMENSIONS

These dimensions are average and not for construction purposes. Certified prints on request.

For specifications, see pages 341.6 and 341.7.

DIMENSIONS— SERIES SG-04 AND SG-05 UNMOUNTED DOUBLE PUMPS



MODEL NO.			B	C	
SG-041717	SG-041818	SG-051818	in	3.17	3.86
			mm	81	98
SG-041718			in	3.17	3.86
			mm	81	98
SG-041725	SG-041825	SG-051825	in	3.24	3.93
			mm	82	100
SG-041735	SG-041835	SG-051835	in	3.34	4.03
			mm	85	102
SG-041750	SG-041850	SG-051850	in	3.49	4.18
			mm	89	106
SG-041770	SG-041870	SG-051870	in	3.69	4.38
			mm	94	111
		SG-051810	in	3.99	4.68
			mm	101	119
		SG-051814	in	3.39	5.08
			mm	86	129
	SG-042525	SG-052525	in	3.31	4.00
			mm	84	102
	SG-042535	SG-052535	in	3.41	4.10
			mm	87	104
	SG-042550	SG-052550	in	3.56	4.25
			mm	90	108
	SG-042570	SG-052570	in	3.76	4.45
			mm	96	113
		SG-052510	in	4.06	4.75
			mm	103	121
		SG-052514	in	4.46	5.15
			mm	113	131
	SG-043535	SG-053535	in	3.51	4.20
			mm	89	107

MODEL NO.			B	C
SG-043550	SG-053550	in	3.66	4.35
		mm	93	110
SG-043570	SG-053570	in	3.86	4.55
		mm	98	116
	SG-053510	in	4.16	4.85
		mm	106	123
	SG-053514	in	4.56	5.25
		mm	116	133
SG-045050	SG-055050	in	3.81	4.50
		mm	97	114
SG-045070	SG-055070	in	4.01	4.70
		mm	102	119
	SG-055010	in	4.31	5.00
		mm	109	127
	SG-055014	in	4.71	5.40
		mm	120	137
SG-047070	SG-057070	in	4.21	4.90
		mm	107	124
	SG-057010	in	4.51	5.20
		mm	115	132
	SG-057014	in	4.91	5.60
		mm	125	142
	SG-051010	in	4.81	5.50
		mm	122	140
	SG-051014	in	5.21	5.90
		mm	132	150
	SG-051414	in	5.61	6.30
		mm	142	160

NOTE: Dimensions shown in parentheses are millimeters; others are inches.

Section	341
Page	341.12
Issue	C

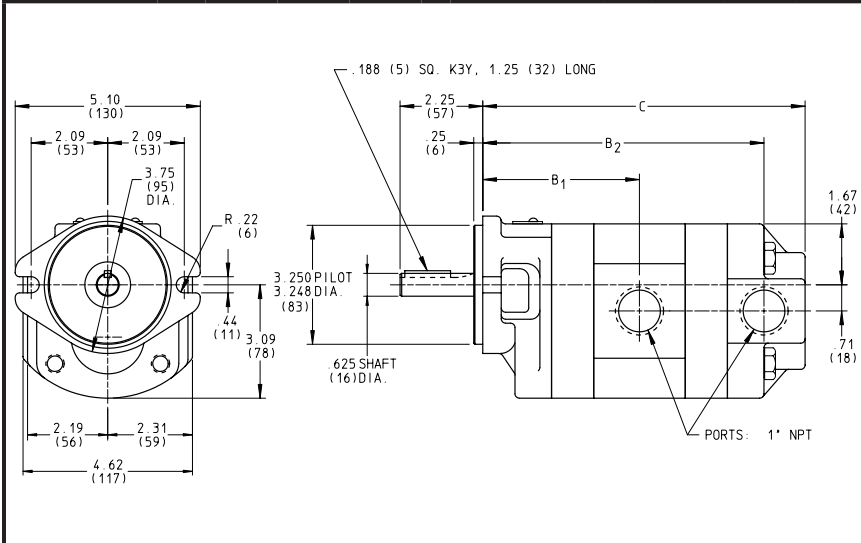
VIKING® SPUR GEAR SINGLE PUMPS

SERIES SG-04, SG-05, SG-07 AND SGN-05, SGN-07

STANDARD CONSTRUCTION

DIMENSIONS

These dimensions are average and not for construction purposes. Certified prints on request.



For specifications, see page 341.7.

DIMENSIONS— SERIES SG-07, SGN-07 UNMOUNTED DOUBLE PUMPS

MODEL NO.		B ₁	B ₂	C
SG-072929	in	3.42	5.96	7.08
	mm	87	151	180
SG-072941	in	3.42	6.08	7.20
	mm	87	154	183
SG-072958	in	3.42	6.25	7.37
	mm	87	159	187
SG-072982	in	3.42	6.49	7.61
	mm	87	165	193
SG-072911	in	3.42	6.82	7.94
	mm	87	173	202
SG-072916	in	3.42	7.32	8.44
	mm	87	186	214
SG-074141 SGN-074141	in	3.54	6.20	7.32
	mm	90	157	186
SG-074158 SGN-074158	in	3.54	6.37	7.49
	mm	90	162	190
SG-074182 SGN-074182	in	3.54	6.61	7.73
	mm	90	168	196
SG-074111 SGN-074111	in	3.54	6.94	8.06
	mm	90	176	205
SG-074116 SGN-074116	in	3.54	7.44	8.56
	mm	90	189	217

MODEL NO.		B ₁	B ₂	C
SG-075858 SGN-075858	in	3.71	6.54	7.66
	mm	94	166	195
SG-075882 SGN-075882	in	3.71	6.78	7.90
	mm	94	172	201
SG-075811 SGN-075811	in	3.71	7.11	8.23
	mm	94	181	209
SG-075816 SGN-075816	in	3.71	7.61	8.73
	mm	94	193	222
SG-078282 SGN-078282	in	3.95	7.02	8.14
	mm	100	178	207
SG-078211 SGN-078211	in	3.95	7.35	8.47
	mm	100	187	215
SG-078216 SGN-078216	in	3.95	7.85	8.97
	mm	100	199	228
SG-071111 SGN-071111	in	4.28	7.68	8.80
	mm	109	195	224
SG-071116 SGN-071116	in	4.28	8.18	9.30
	mm	109	208	236
SG-071616 SGN-071616	in	4.78	8.68	9.80
	mm	121	220	249

NOTE: Dimensions shown in parentheses are millimeters; others are inches.

VIKING® SPUR GEAR SINGLE PUMPS

SERIES SG-04, SG-05, SG-07 AND SGN-05, SGN-07

STANDARD CONSTRUCTION

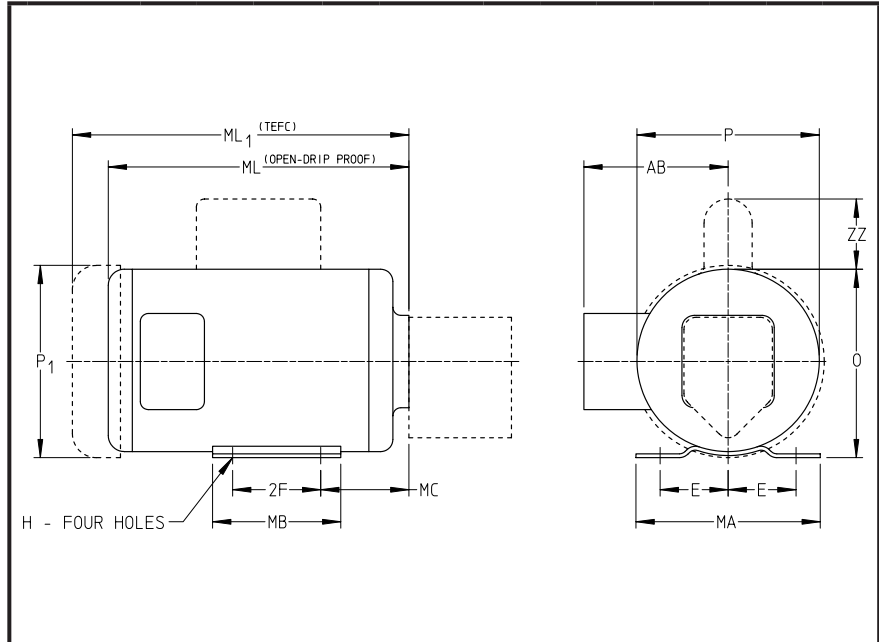
Section	341
Page	341.13
Issue	C

DIMENSIONS

These dimensions are average and not for construction purposes. Certified prints on request.

For description, see page 341.2.

DIMENSIONS— SERIES SG-04, SG-05, SGN-05 (SINGLE PUMPS ONLY) FOUR-BOLT MOTOR MOUNT ("M4" DRIVE)



① Motor shipping weight listed is for a typical TEFC motor. (If a more accurate motor shipping weight is required, consult factory with complete motor specifications.) For total unit shipping weight, add the electric motor shipping weight to the pump shipping weight shown on the pump specification chart.

NOTE: Dimensions shown in parentheses are millimeters; others are inches.

BALDOR MOTOR FRAME	APPROX. MOTOR SHIPPING WEIGHT (POUNDS)	AB	D	E	2F	H	MA	MB	MC	1 PHASE		3 PHASE		ML	ML ₁	O	P	P	ZZ
										HP	RPM	HP	RPM						
48YZ	25	in	4.50	3.00	2.12	2.75	.34 SLOT	5.75	4.00	2.75	1/4	1725	1/4 1/3 1/2	1725	8.38 (213)	5.88	5.69 (145)		2.19 (56)
											1/3 1/2	1725	3/4	1725	9.38 (238)				
											1/4	1725	1/4 1/3 1/2	1725	9.50 (241)				
		mm	114	76	54	70	9	146	102	70	1/3	1725	3/4	1725	10.50 (267)	149		6.12 (155)	2.25 (57)
											1/2	1725		1725	11.50 (292)				
											3/4	1725	1	1725	10.38 (264)				
56YZ	29	in	5.25	3.50	2.44	3.00	.34 SLOT	6.50	4.50	2.62	3/4	1725		1725	10.38 (264)	6.88	6.62 (168)		2.25
											1	1725		1725	11.38 (289)				
		mm	133	89	62	76	9	165	114	66			1	1725	10.38 (264)	175		7.19 (183)	57
											3/4 1	1725		1725	11.38 (289)				

Section	341
Page	341.14
Issue	D

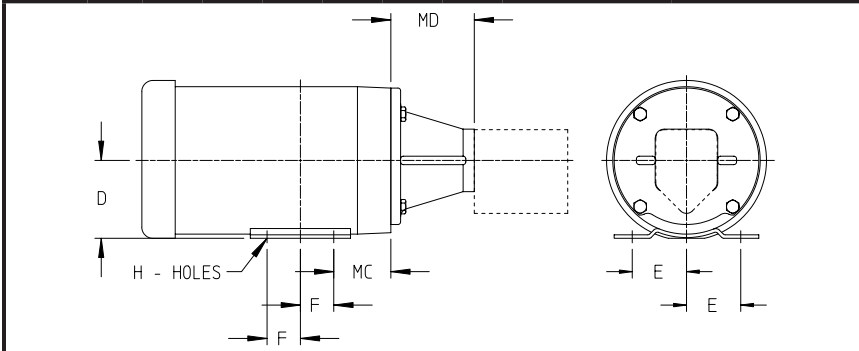
VIKING® SPUR GEAR SINGLE PUMPS

SERIES SG-04, SG-05, SG-07 AND SGN-05, SGN-07

STANDARD CONSTRUCTION

DIMENSIONS

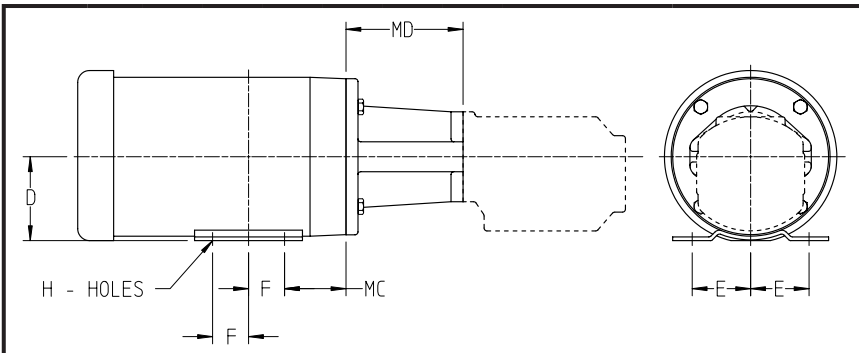
These dimensions are average and not for construction purposes. Certified prints on request.



DIMENSIONS— SERIES SG-04, SG-05, SGN-05 C-FLANGE MOTOR MOUNT ("M" DRIVE) – NEMA

MOTOR FRAME SIZE		D	E	F	H	MC	MD	APPROX. DRIVE ① EQUIP. SHIPPING WEIGHT (POUNDS)
56C	in	3.50	2.44	1.50	.34 SLOT	2.56	3.75	34
	mm	89	62	38	9	65	95	
143TC	in	3.50	2.75	2.00	.34	2.88	3.75	52
	mm	89	70	51	9	73	95	
145TC	in	3.50	2.75	2.50	.34	2.88	3.75	57
	mm	89	70	64	9	73	95	
182TC	in	4.50	3.75	2.25	.41	3.62	4.25	83
	mm	114	95	57	10	92	108	
184TC	in	4.50	3.75	2.75	.41	3.62	4.25	88
	mm	114	95	70	10	92	108	

① Drive equipment weight listed is for a typical TEFC motor pump/motor adaptor, and couplings. (If a more accurate motor shipping weight is required, consult factory with complete motor specifications.) For total unit shipping weight, add the electric motor shipping weight to the pump shipping weight shown on the pump specification chart.



DIMENSIONS— SERIES SG-07, SGN-07 C-FLANGE MOTOR MOUNT ("M" DRIVE) – NEMA

MOTOR FRAME SIZE		D	E	F	H	MC	MD	APPROX. DRIVE ① EQUIP. SHIPPING WEIGHT (POUNDS)
56C	in	3.50	2.44	1.50	.34 SLOT	2.56	4.88	41
	mm	89	62	38	9	65	124	
143TC	in	3.50	2.75	2.00	.34	2.88	4.88	60
	mm	89	70	51	9	73	124	
145TC	in	3.50	2.75	2.50	.34	2.88	4.88	70
	mm	89	70	64	9	73	124	
182TC	in	4.50	3.75	2.25	.41	3.62	5.37	108
	mm	114	95	57	10	92	136	
184TC	in	4.50	3.75	2.75	.41	3.62	5.37	123
	mm	114	95	70	10	92	136	
213TC	in	5.25	4.25	2.75	.41	4.50	6.26	161
	mm	133	108	70	10	114	159	
215TC	in	5.25	4.25	3.50	.41	4.50	6.26	195
	mm	133	108	89	10	114	159	

① Drive equipment shipping weight includes typical TEFC motor, pump/motor adaptor, and couplings. (If a more accurate drive equipment shipping weight is required, consult factory with complete motor specifications.) For total unit shipping weight, add the drive equipment shipping weight to the pump shipping weight shown on the pump specification chart.

VIKING® SPUR GEAR SINGLE PUMPS

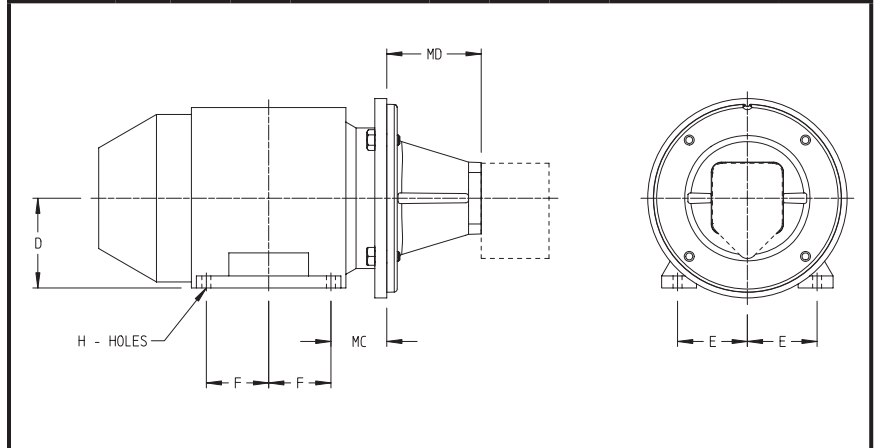
SERIES SG-04, SG-05, SG-07 AND SGN-05, SGN-07
STANDARD CONSTRUCTION

Section	341
Page	341.14.1
Issue	A

DIMENSIONS

These dimensions are average and not for construction purposes. Certified prints on request.

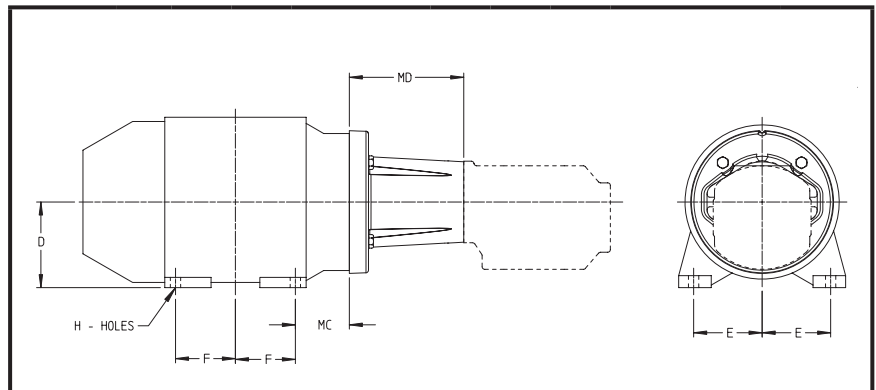
DIMENSIONS— SERIES SG-04, SG-05, SGN-05 MOTOR MOUNT ("M" DRIVE) – IEC FRAME



MOTOR FRAME SIZE		D	E	F	H	MC	MD	APPROX. DRIVE ① EQUIP. SHIPPING WEIGHT (POUNDS)
IEC 80 B5 FLANGE	in	3.15	2.46	1.97	.039	1.97	3.73	46
	mm	80	62.5	50	10	50	94.7	
IEC 90 B5 FLANGE	in	3.54	2.76	S 1.97 / L 2.46	.39	2.20	3.73	64
	mm	90	70	S 50 / L 62.5	10	56	94.7	

① Motor shipping weight listed is for a typical IEC motor. (If a more accurate motor shipping weight is required, consult factory with complete motor specifications.) For total unit shipping weight, add the electric motor shipping weight to the pump shipping weight shown on the pump specification chart.

DIMENSIONS— SERIES SG-07, SGN-07 MOTOR MOUNT ("M" DRIVE) – IEC FRAME



MOTOR FRAME SIZE		D	E	F	H	MC	MD	APPROX. DRIVE ① EQUIP. SHIPPING WEIGHT (POUNDS)
IEC 90 B5 FLANGE	in	3.54	2.76	S 1.97 / L 2.46	0.39	2.20	5.13	68
	mm	90	70	S 50 / L 62.5	10	56	130.3	
IEC 100 B14 FACE	in	3.94	3.15	S 2.20 / L 2.76	.47	2.48	5.26	114
	mm	100	80	S 56 / L 70	12	63	133.6	
IEC 112 B14 FACE	in	4.41	3.74	S 2.24 / L 2.76	.47	2.76	5.26	129
	mm	112	95	S 57 / L 70	12	70	133.6	

① Motor shipping weight listed is for a typical IEC motor. (If a more accurate motor shipping weight is required, consult factory with complete motor specifications.) For total unit shipping weight, add the electric motor shipping weight to the pump shipping weight shown on the pump specification chart.

Section	341
Page	341.15
Issue	C

VIKING® SPUR GEAR SINGLE PUMPS

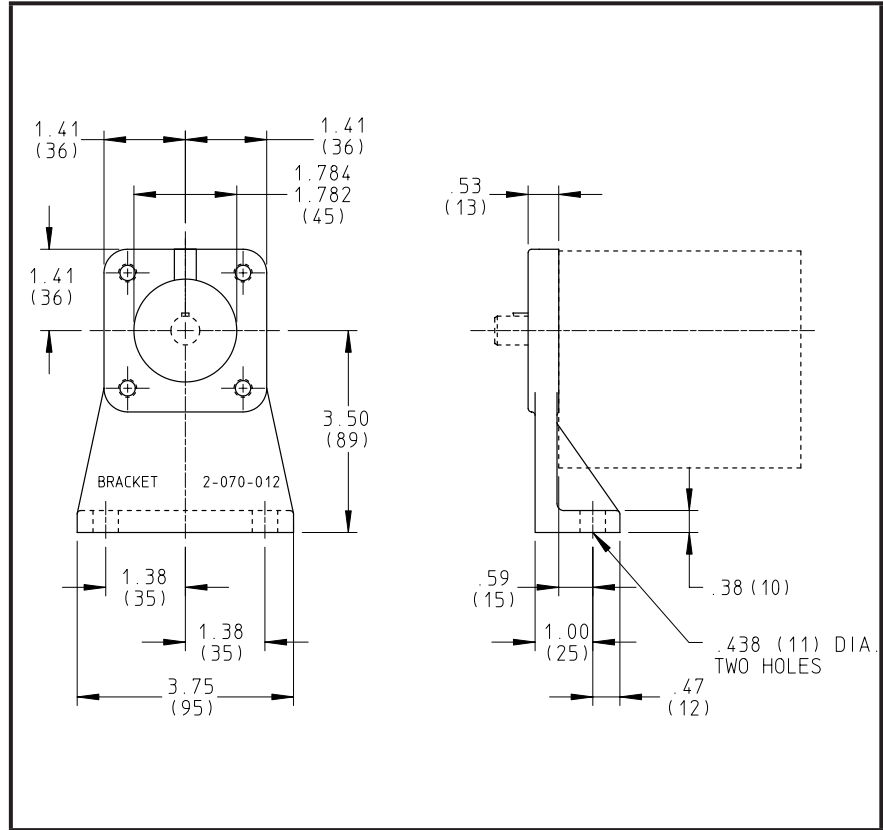
SERIES SG-04, SG-05, SG-07 AND SGN-05, SGN-07

STANDARD CONSTRUCTION

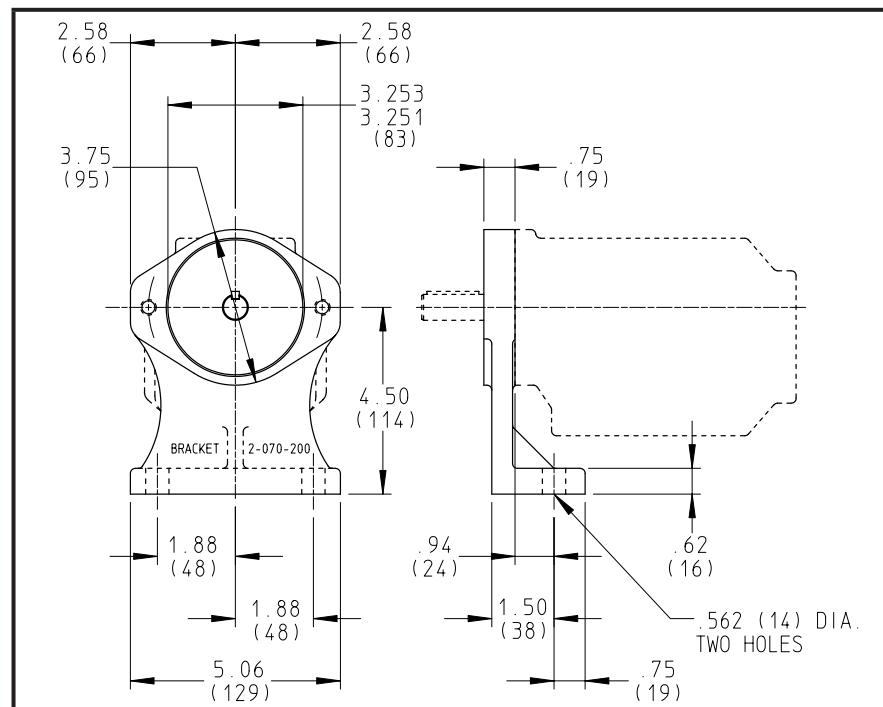
DIMENSIONS

These dimensions are average and not for construction purposes. Certified prints on request.

DIMENSIONS— SERIES SG-04, SG-05, SGN-05 FOOT BRACKET MOUNT (B MOUNT)



DIMENSIONS— SERIES SG-07, SGN-07 FOOT BRACKET MOUNT (B MOUNT)



VIKING® SPUR GEAR SINGLE PUMPS

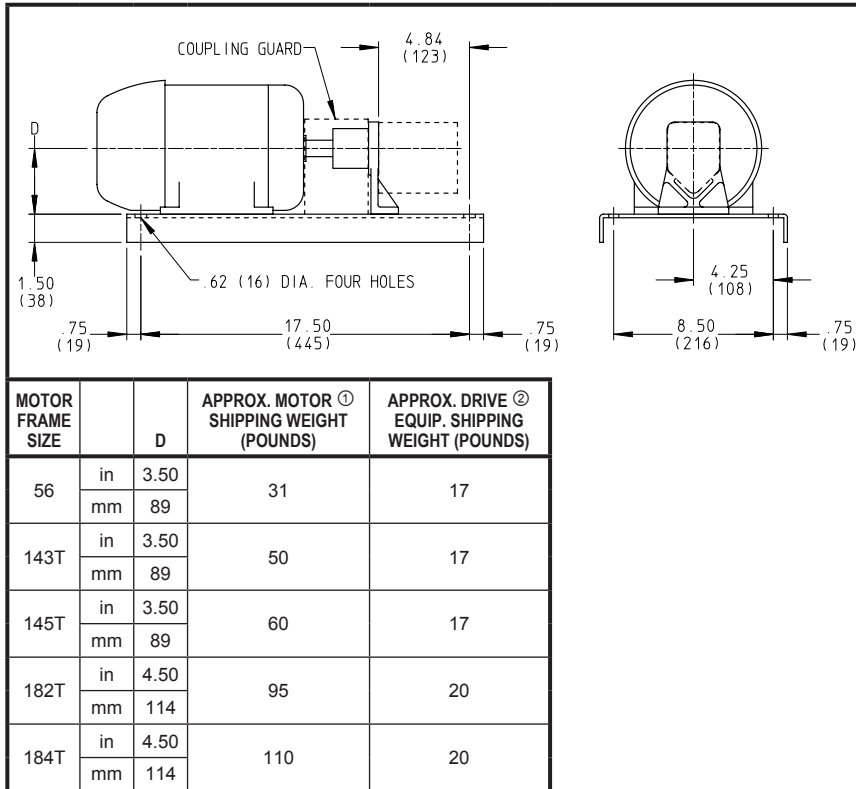
SERIES SG-04, SG-05, SG-07 AND SGN-05, SGN-07

STANDARD CONSTRUCTION

Section	341
Page	341.16
Issue	C

DIMENSIONS

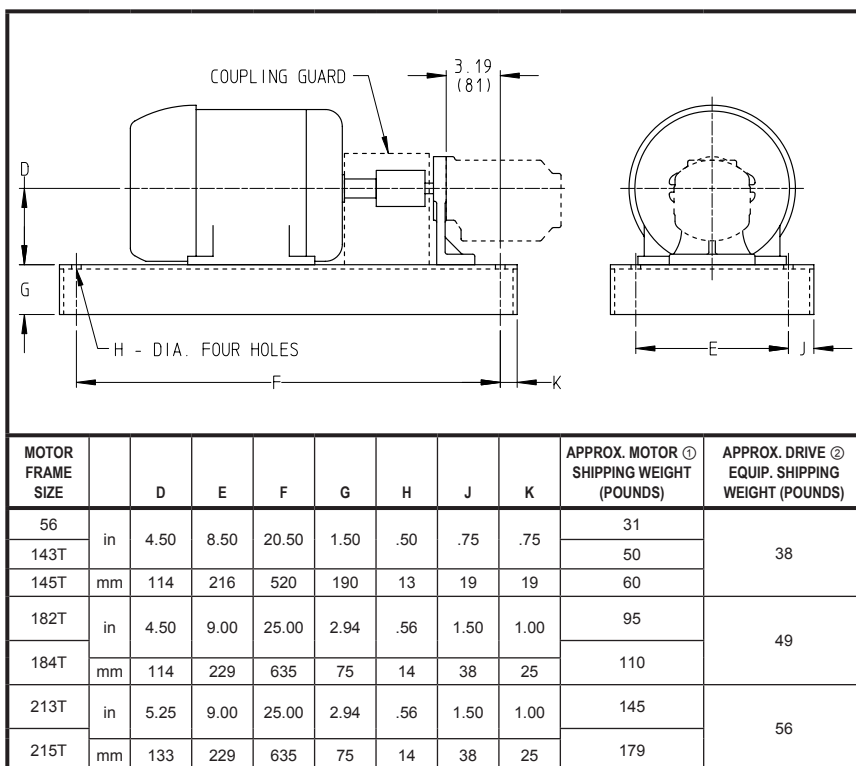
These dimensions are average and not for construction purposes. Certified prints on request.



DIMENSIONS— SERIES SG-04, SG-05, SGN-05 BASE-MOUNTED UNIT ("D" DRIVE)

- ① Motor shipping weight listed is for a typical TEFC motor. (If a more accurate motor shipping weight is required, consult factory with complete motor specifications.)
- ② Drive equipment shipping weight includes base, foot-bracket, coupling and coupling guard. For total unit shipping weight, add electric motor shipping weight, drive equipment shipping weight and the pump shipping weight shown on the pump specification chart.

NOTE: Dimensions shown in parentheses are millimeters; others are inches.



DIMENSIONS— SERIES SG-07, SGN-07 BASE-MOUNTED UNIT ("D" DRIVE)

- ① Motor shipping weight listed is for a typical TEFC motor. (If a more accurate motor shipping weight is required, consult factory with complete motor specifications.)
- ② Drive equipment shipping weight includes base, foot-bracket, coupling and coupling guard. For total unit shipping weight, add electric motor shipping weight, drive equipment shipping weight and the pump shipping weight shown on the pump specification chart.

NOTE: Dimensions shown in parentheses are millimeters; others are inches.

Section	341
Page	
Issue	

VIKING® SPUR GEAR SINGLE PUMPS
SERIES SG-04, SG-05, SG-07 AND SGN-05, SGN-07
STANDARD CONSTRUCTION

THIS PAGE INTENTIONALLY BLANK